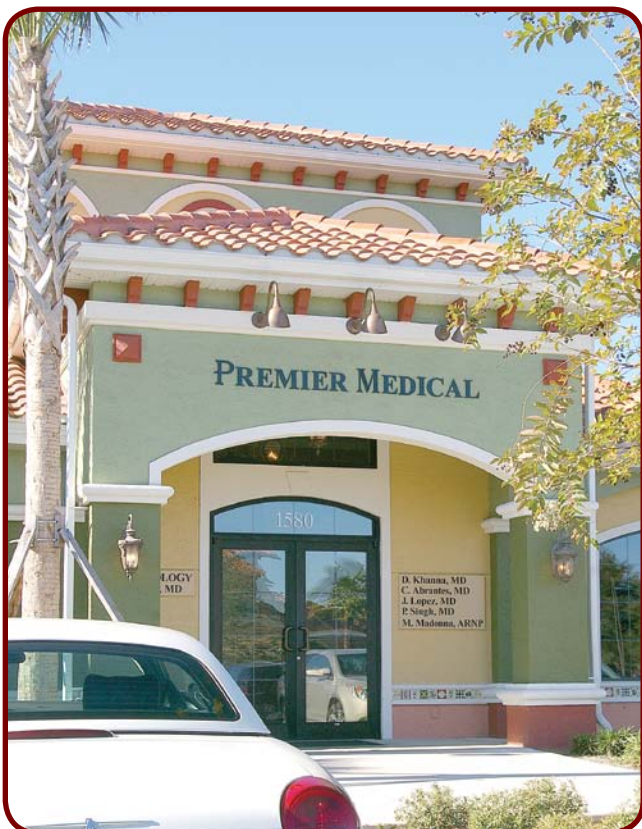
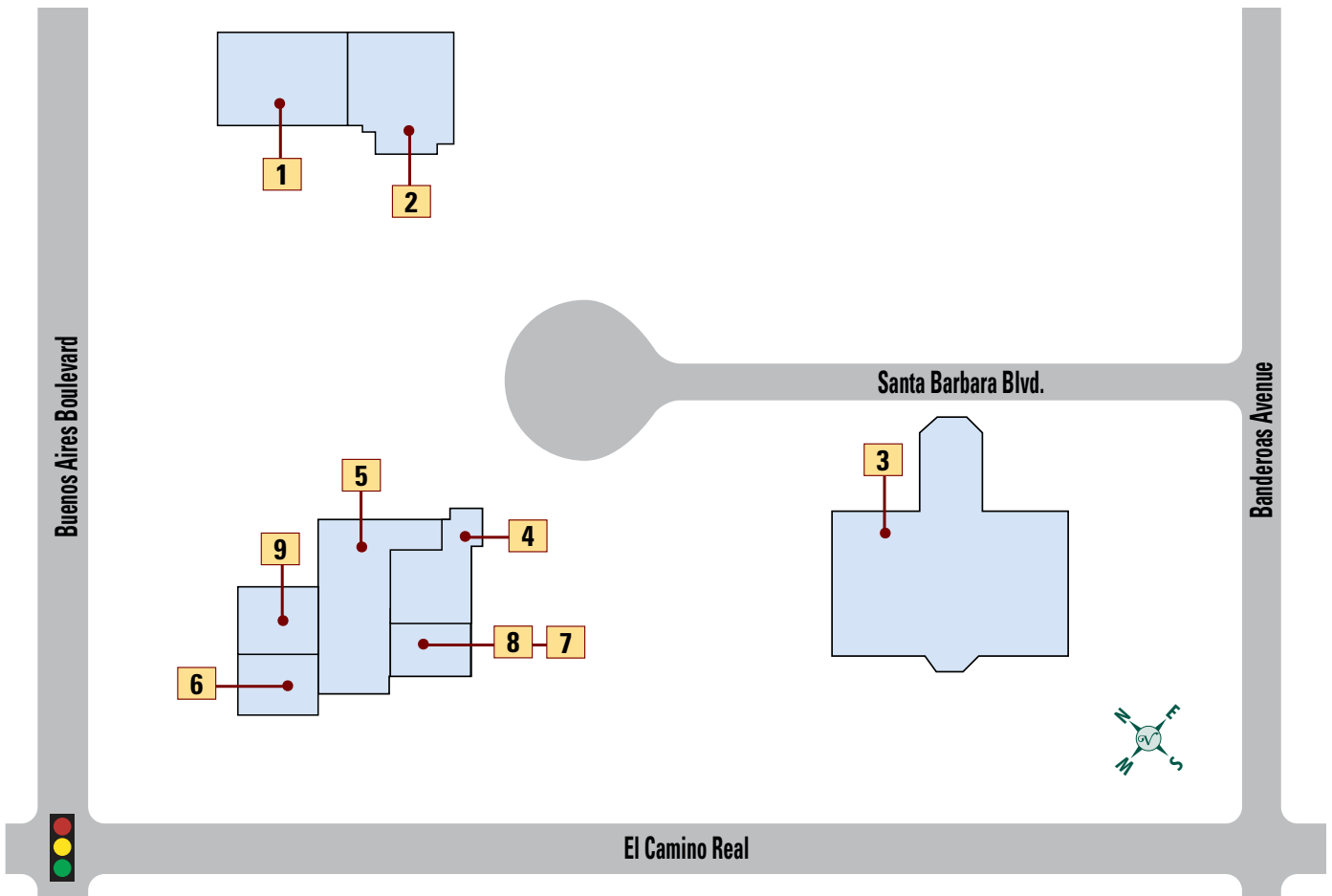


Santa Barbara Professional Plaza



HEALTH

- 1** DAVIS CLINIC OF CHIROPRACTIC, INC. — 430-2121 
- 2** TRI-COUNTY PODIATRY — 259-1919 
- 3** FLORIDA HEART & VASCULAR CENTER — 750-5000 
- 4** PREMIER MEDICAL URGENT CARE — 259-2159 
- 5** PREMIER MEDICAL ASSOCIATES — 259-2159 
- 6** QUEST DIAGNOSTICS — 391-1189 
- 7** ORLANDO SEXUAL MEDICINE — 350-7411
- 8** BASSIN CENTER FOR PLASTIC SURGERY — 1-877-333-3223
- 9** RADIOLOGICAL INSTITUTE OF THE VILLAGES — 508-1512 

